

# INOKRAFT Mini Chainsaw

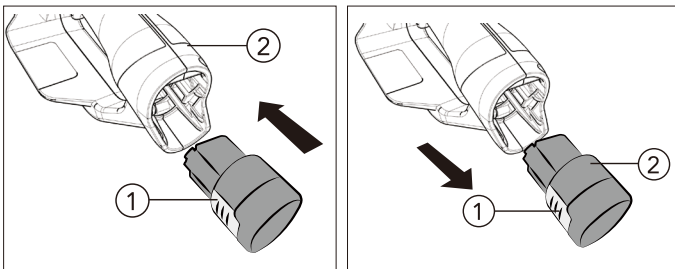
## Quick Start-Up Guide



Scan for instruction video

**⚠** This guide is for quick reference only. Before using the tool, you must read the manual thoroughly to understand all warnings, follow safety instructions, and take necessary precautions.

### FITTING OR REMOVING THE BATTERY

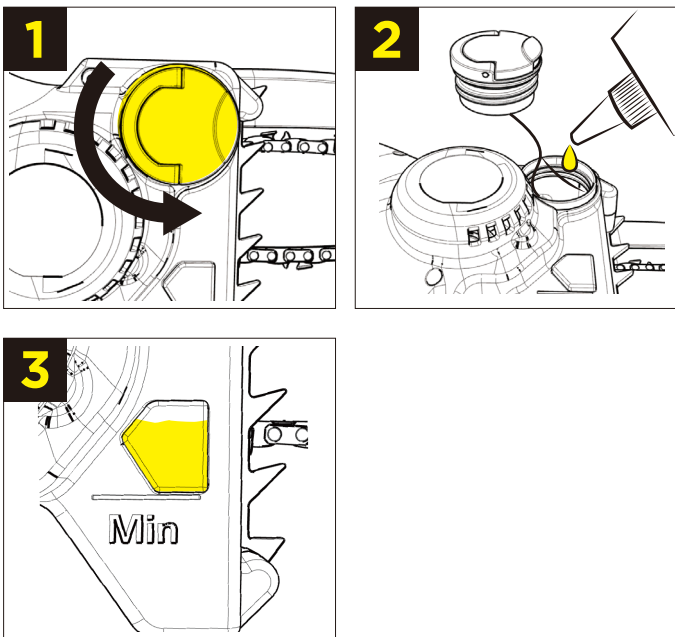


Push the battery into the compartment (2) until it clicks into place.

Press both locking hooks (1) to release the battery (2) for removal.

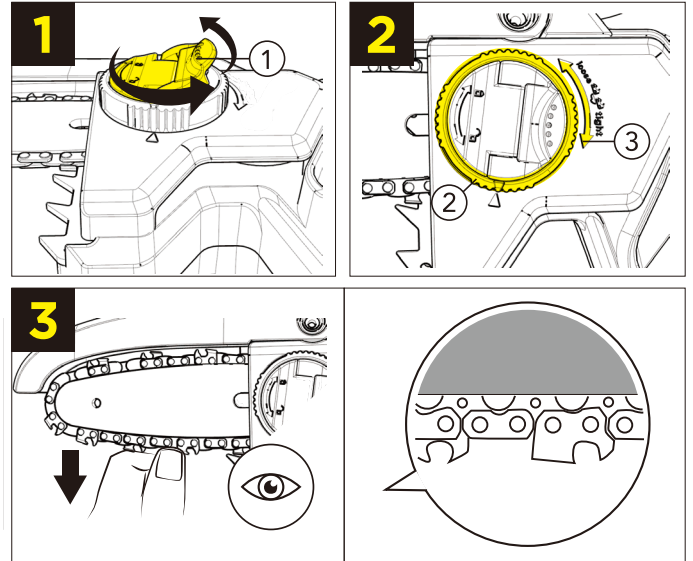
\*Remove the battery after each use.

### ADD LUBRICATING OIL



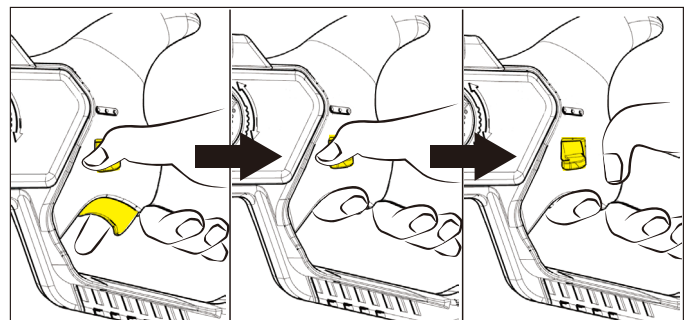
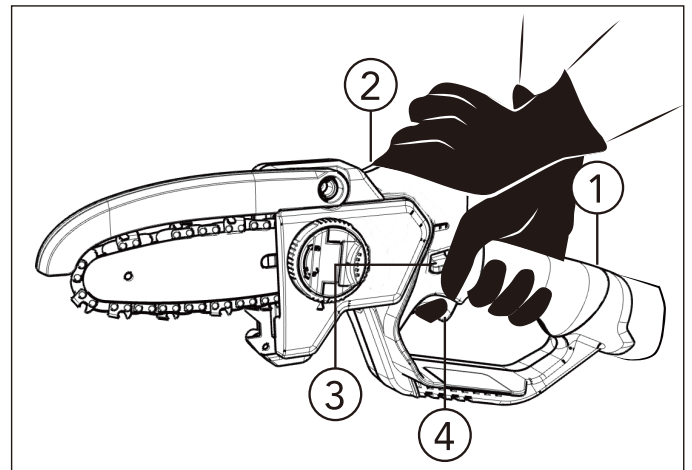
1. Place the mini chainsaw on a flat surface. Lift the handle of the Oil Filler Cover and twist it counterclockwise.
2. Inject up to 45ml (1.52oz) of biodegradable lubricating oil into the oil tank. Reinstall and tighten the Oil Filler Cover.
3. Check the oil level through the oil window. Replenish before it reaches the "Min" line.

### TENSIONING THE SAW CHAIN



1. Remove the battery. Loosen the wingnut (1) about half a turn counterclockwise, but do not remove it.
2. Adjust the Chain Tension Ring (2) as indicated on the cover (3) to tighten or loosen the chain.
3. Pull the chain with approximately 1kg of force to check tension. The chain is properly tensioned when only half the drive chain can be pulled out while the other half stays in the groove.
4. Tighten the wingnut after confirming the chain tension.

### SWITCHING ON AND OFF



### 1. Hold the Chainsaw:

- Grip the control handle (1) firmly with one hand, wrapping your thumb around it.
- Use your other hand to grip the grip fin (2) for added control.

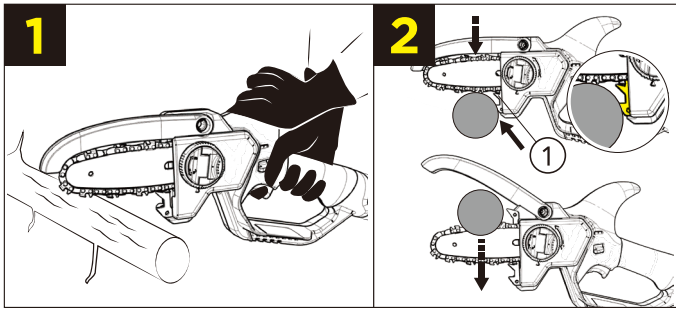
### 2. Engage the Safety Switch:

- Press and hold the safety switch (3) with your thumb. Either hand can be used.

### 3. Start the Chainsaw:

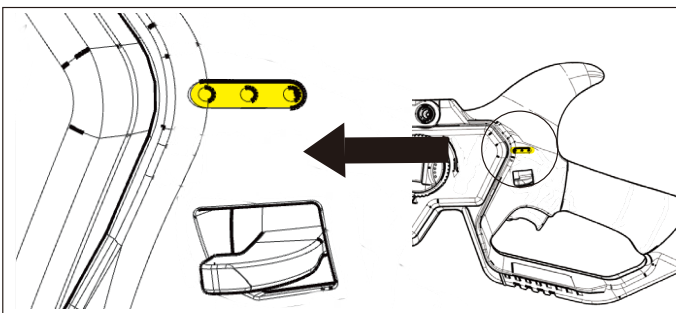
- Pull and hold the trigger (4) with your index finger.
- Once the chain starts rotating, release the safety switch (3). The chain will keep rotating.

## CUTTING



1. Grip the control handle with one hand and the grip fin with the other. Switch on the chainsaw and start cutting with the chain running at full speed.
2. Use the felling dog(1) as a fulcrum to support the chainsaw against the wood, preventing kickback and reducing movement. Cut through the branch completely, supporting the chainsaw's weight at the end of the cut.

## CHARGING



### Battery Indicator

Red light Yellow light Green light	Red light Yellow light	Red light
70-100%	30-70%	30%

- The battery indicator has three lights: green, yellow, and red. They turn off as the battery depletes.
- Red light only means less than 30% battery. Charge soon.

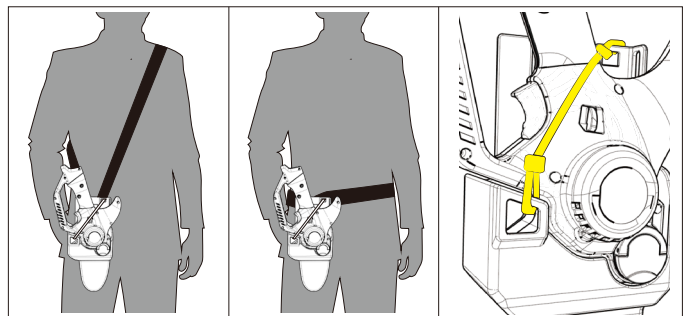
### Charger Indicator

		 <b>Red light</b>   <b>Green light</b>
Lights	Status	
Blinking Green light	Standby	
Steady Green light	Charge complete	
Blinking Red light	Overheating protection	
Steady Red light	Charging	
Blinking Red light and Green light	Battery damaged	

- Plug the charger into a power source and insert the battery to start charging.
- A steady green LED light means the battery is fully charged; then remove the battery and unplug the charger.
- See the manual for more LED details.

## THE HOLSTER

- By adjusting the strap length, you can wear the holster crossbody, over one shoulder, or around your waist.
- Adjust the strap length according to your comfort preference.
- After placing the mini chainsaw in the holster, secure the lanyard over the chainsaw to prevent it from slipping out during movement.



For details on chain replacement, routine maintenance, and troubleshooting, please refer to the manual.

## Questions?

Don't hesitate to drop a message at [support@inokraft.com](mailto:support@inokraft.com)!

Join InoKraft Community for

Official Youtube  
[www.youtube.com/@inokraft](http://www.youtube.com/@inokraft)

- **INSTRUCTION VIDEOS**
- **FREE ACCESSORIES**
- **FREE TRIALS OF NEW PRODUCTS**
- **EXTENDED WARRANTY**

by sending "I'm a craftsman" and your **purchase order ID** to [support@inokraft.com](mailto:support@inokraft.com) or Scan:

