

## WARRANTY

### InoKraft Standard Limited Warranty

InoKraft warrants all equipment referenced in this document which is manufactured by InoKraft and bearing its name to be free from defects in material and workmanship on the date of sale to the original purchaser for use. With the exception of any special, extended, or limited warranty published by InoKraft, InoKraft will, for a period of twelve months from the date of sale, repair or replace any part of the equipment determined by InoKraft to be defective. This warranty applies only when the equipment is installed, operated and maintained in accordance with InoKraft's written recommendations.

This warranty does not cover, and InoKraft shall not be liable for general wear and tear, or any malfunction, damage or wear caused by faulty installation, misapplication, abrasion, corrosion, inadequate or improper maintenance, negligence, accident, tampering, or substitution of non-InoKraft component parts. Nor shall InoKraft be liable for malfunction, damage or wear caused by the incompatibility of equipment with structures, accessories, equipment or materials not supplied by InoKraft, or the improper design, manufacture, installation, operation or maintenance of structures, accessories, equipment or materials not supplied by InoKraft.

This warranty is conditioned upon the prepaid return of the equipment claimed to be defective to an authorized InoKraft distributor for verification of the claimed defect. If the claimed defect is verified, InoKraft will repair or replace with free of charge for any defective parts. If inspection of the equipment does not disclose any defect in material or workmanship, repairs will be made at a reasonable charge, which charges may include the costs of parts, labor, and transportation.

**THIS WARRANTY IS EXCLUSIVE, AND IS IN LIEU OF ANY OTHER WARRANTIES, EXPRESS OR IMPLIED, INCLUDING BUT NOT LIMITED TO WARRANTY OF MERCHANTABILITY OR WARRANTY OF FITNESS FOR A PARTICULAR PURPOSE.**

InoKraft's sole obligation and buyer's sole remedy for any breach of warranty shall be as set forth above. The buyer agrees that no other remedy (including, but not limited to, incidental or consequential damages for lost profits, lost sales, injury to person or property, or any other incidental or consequential loss) shall be available. Any action for breach of warranty must be brought within two (2) years of the date of sale.

**InoKraft MAKES NO WARRANTY, AND DISCLAIMS ALL IMPLIED WARRANTIES OF MERCHANTABILITY AND FITNESS FOR A PARTICULAR PURPOSE, IN CONNECTION WITH ACCESSORIES, EQUIPMENT, MATERIALS OR COMPONENTS SOLD BUT NOT MANUFACTURED**

**BY InoKraft.** These items sold, but not manufactured by InoKraft (such as electric motors, switches, hose, etc.), are subject to the warranty, if any, of their manufacturer. InoKraft will provide purchasers with reasonable assistance in making any claim for breach of these warranties. In no event will InoKraft be liable for indirect, incidental, special or consequential damages resulting from InoKraft supplying equipment hereunder, or the furnishing, performance, or use of any products or other goods sold hereto, whether due to a breach of contract, breach of warranty, the negligence of InoKraft, or otherwise.

### Questions?

Don't hesitate to drop a message at [support@inokraft.com](mailto:support@inokraft.com)!

Join InoKraft Community for

- **INSTRUCTION VIDEOS**
- **FREE TRIALS OF NEW PRODUCTS**

by sending "I'm a craftsman" and your **purchase order ID** to [support@inokraft.com](mailto:support@inokraft.com) or Scan:

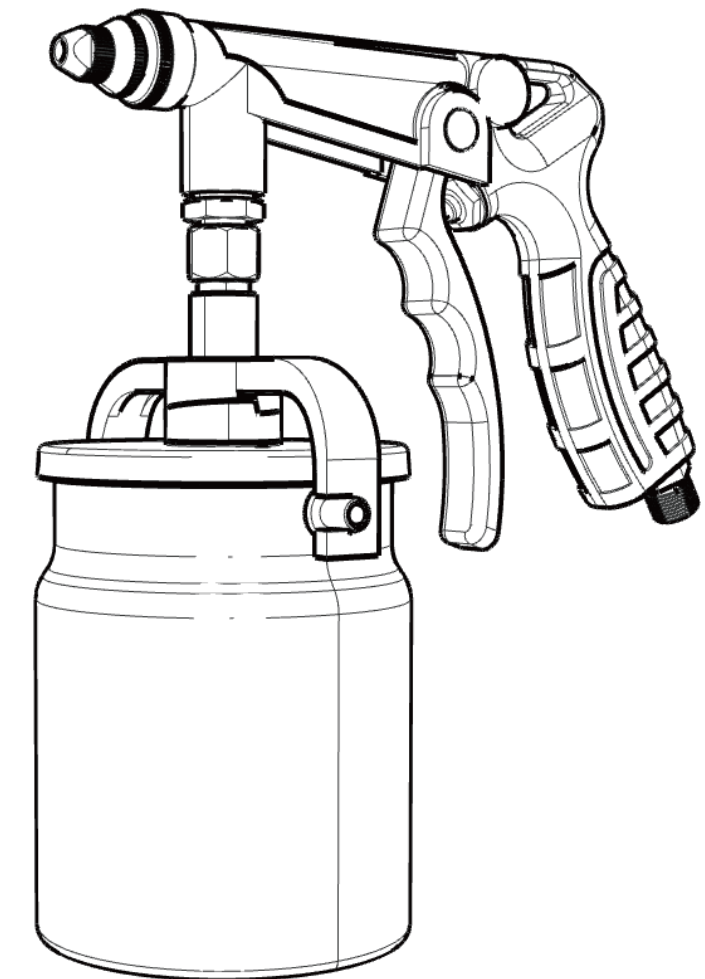


Official Youtube  
[www.youtube.com/@inokraft](https://www.youtube.com/@inokraft)

INOKRAFT

# RUST-PROOFING SPRAY GUN

## User Manual



IK01206 SERIES

# User Manual

Scan the QR code for instruction video.



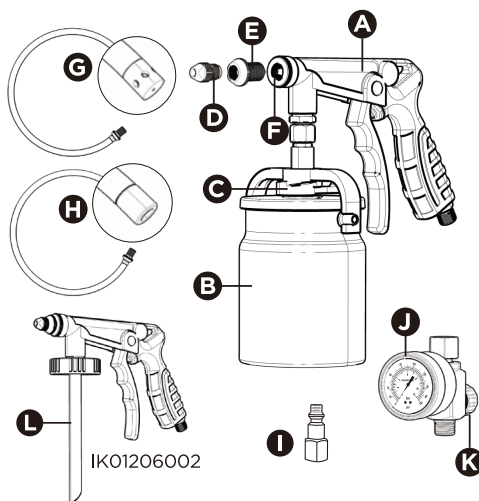
Inokraft

support@inokraft.com



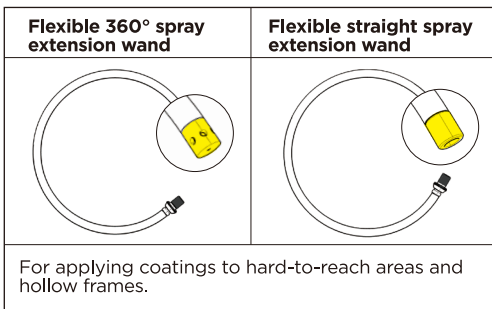
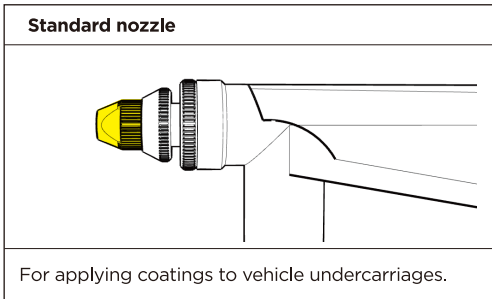
THIS MANUAL IS FOR IK01206001, IK01206002. READ ALL INSTRUCTIONS BEFORE OPERATING.

## KNOW YOUR SPRAY GUN



A	Spray Gun
B	Spray Cup (for IK01206001)
C	Cup Lock
D	Standard Nozzle
E	Flow-rate Nut
F	Retainer Ring
G	Flexible 360° spray extension wand (for IK01206001)
H	Flexible straight spray extension wand (for IK01206001)
I	Air Hose Connector
J	Air Pressure Gauge
K	Air Pressure Adjustment Knob
L	Suction hose

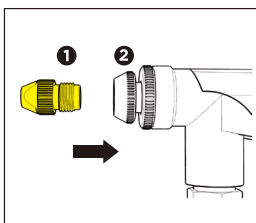
## CHOOSE



## SET UP

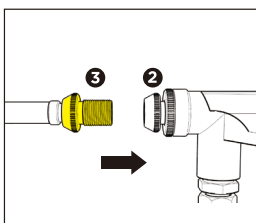
**NOTE:** Heat the coating and ensure it is stirred evenly.

### INSTALL NOZZLE



Screw standard nozzle (#1) tightly onto flow-rate nut (#2).

### INSTALL FLEXIBLE SPRAY EXTENSION WAND

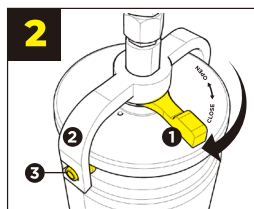


Screw wand (#3) tightly onto flow-rate nut (#2).

## INSTALL CUP AND FILLER FOR IK01206001

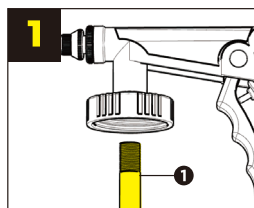


- Turn the cup lock (#1) unclockwise to open spray cup.
- Pour coating into cup.

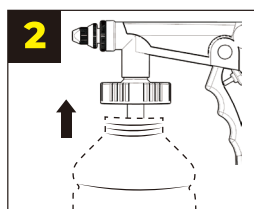


Fit the latch (#2) and the slot (#3), then turn the lock (#1) clockwise to the middle of the latch (#2).

## FOR IK01206002

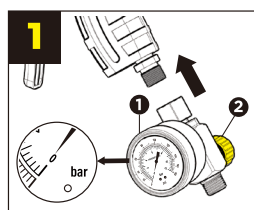


- Screw the suction hose (#1) into the hose housing clockwise until tight.
- Pour coating into a suitable cup.

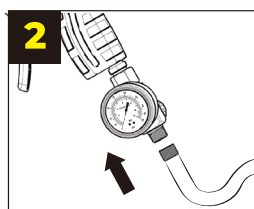


Screw the cup clockwise onto the gun.

## CONNECT AIR HOSE



Attach the air pressure gauge (#1) to the gun and turn the knob (#2) clockwise to the minimum setting.



Wrap raw tape (not included) over the air inlet. Connect the air hose to the connector.

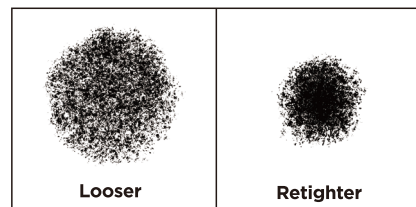
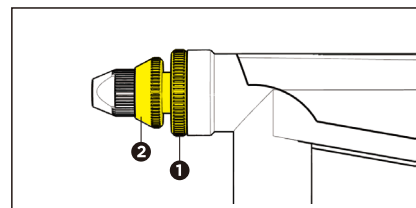
## OPERATIONS

### 1. Air Pressure Adjustment

Adjust air pressure through the knob. The recommended air pressure is 58.0-101.5 psi.

### 2. Flow Rate Adjustment

Loosen the retainer ring (#1). Turning the flow-rate nut (#2) clockwise decreases flow rate. Turning it counter-clockwise increases flow rate. Retighten the retainer ring (#1) after adjusting.



### 3. Pull the trigger to spray. Adjust air pressure and flow rate when needed.

## CLEAN & STORAGE

1. Remove cup from gun and clean all components with an oil-based solvent.
2. Fill the cup with clean water and trigger the gun into a bucket until the mix is out. Continue until the gun is clean.
3. Pull the trigger to clear any remaining material, then close the knob and disconnect the air hose.
4. Use a soft brush and oil-based solvent to remove any dried material from surface, **paying special attention to the extension tube nozzle to prevent clogging.**
5. Reconnect the air hose to the gun, pull the trigger to clear out any remaining material.

**NOTE:** Failure to clean the spray gun properly will result in the warranty being voided.

## QUICK TROUBLE SHOOTING

Problem	Solutions
Gun (with standard nozzle) does not spray when trigger is pulled.	<ol style="list-style-type: none"> <li>1. Increase flow rate through flow-rate nut.</li> <li>2. Check air supply, increase air pressure if needed. (Recommended air pressure: 58.0-101.5psi, Max air pressure: 130.5psi)</li> <li>3. Clean the spray gun after each use to prevent clogging and damage.</li> <li>4. If the problem still exists, please contact Inokraft for support.</li> </ol>
Problem	Solutions
Reduced Flow Rate in the Extension wand.	<ol style="list-style-type: none"> <li>1. Heat the coating and ensure it is stirred evenly.</li> <li>2. Increase air pressure and flow rate.</li> <li>3. Tighten the clamp at the front end of the extension wand.</li> <li>4. Clean the extension wand after each use to prevent clogging and damage.</li> <li>5. If the problem still exists, please contact Inokraft for support.</li> </ol>

## PRODUCT INFORMATION

Model Number	IK01206
Max Pressure	9.0bar, 130.5psi
Recommended Air Pressure	4.0bar, 58psi
Feed Type	Siphon
Air Consumption	4.59-5.30 CFM@58.0psi, 130-150L/min@4bar
Compressed Air Connection	6mm, 1/4"
Cup Capacity	600ml, 20.29oz

Paint Inlet Thread Size	M12x1
Parts and Accessories	<ul style="list-style-type: none"> <li>• Undercoating spray gun</li> <li>• Spray cup (for IK01206001)</li> <li>• Suction hose (for IK01206002)</li> <li>• Spray standard nozzle</li> <li>• Flexible 360° spray extension wand (for IK01206001)</li> <li>• Flexible straight spray extension wand (for IK01206001)</li> <li>• Air hose connector</li> <li>• Air pressure</li> <li>• Brush</li> <li>• User manual</li> </ul>

## SAFETY INSTRUCTIONS

### FIRE AND EXPLOSION

- No sparks or open flames. Avoid exposure to flames, electrical goods, cigarettes, etc.
- Keep at least 25' away from non-explosion-proof compressors, motors, switches, etc.

### PROTECTION OF HUMAN BODY

- Use in a well-ventilated area. Poor ventilation can cause solvent poisoning.
- Wear protective gear (safety glasses, mask, gloves). Seek medical advice if discomfort occurs.

### IMPROPER USE

- Do not exceed 130.5psi. Overpressure can cause damage and injury.
- Disconnect from air supply before adding material, changing nozzles, removing clogs, or maintenance.
- Use only for undercoating, bedliner, and rustproofing products. Do not use pesticides, fertilizers, acids, or corrosives.
- Clean with oil-based solvents only. Paint thinner can corrode components and release hazardous gases.
- Follow regulations for proper disposal of used solvents.